




Article

New Adaptive High Starting Torque Scalar Control Scheme for Induction Motors Based on Passivity

Juan Carlos Travieso-Torres ^{1,*}, Miriam Vilaragut-Llanes ², Ángel Costa-Montiel ²,
Manuel A. Duarte-Mermoud ³, Norelys Aguila-Camacho ⁴, Camilo Contreras-Jara ¹ and
Alejandro Álvarez-Gracia ¹

¹ Department of Industrial Technologies, University of Santiago de Chile, Santiago 9170125, Chile; camilo.contrerasj@usach.cl (C.C.-J.); alvarezgraciaa@gmail.com (A.Á.-G.)

² Centro de Investigaciones y Pruebas Electroenergéticas (CIPEL), Universidad Tecnológica de la Habana “José Antonio Echeverría” (CUJAE), Havana 11500, Cuba; miriamv@electrica.cujae.edu.cu (M.V.-L.); aacm@electrica.cujae.edu.cu (Á.C.-M.)

³ Departamento de Electricidad, University of Chile, Santiago 8370451, Chile; mduartem@ing.uchile.cl

⁴ Departamento de Electricidad, Universidad Tecnológica Metropolitana, Santiago 7800002, Chile; norelys.aguila@utem.cl

* Correspondence: juancarlos.travieso@usach.cl

Received: 14 December 2019; Accepted: 19 January 2020; Published: 10 March 2020



Abstract: A novel adaptive high starting torque (HST) scalar control scheme (SCS) for induction motors (IM) is proposed in this paper. It uses a new adaptive-passivity-based controller (APBC) proposed herein for a class of nonlinear systems, with linear explicit parametric dependence and linear stable internal dynamics, which encompasses the IM dynamical model. The main advantage of the HST-SCS includes the ability to move loads with starting-torque over the nominal torque with a simple and cost-effective implementation without needing a rotor speed sensor, variable observers, or parameter estimators. The proposed APBC is based on a direct control scheme using a normalized fixed gain (FG) to fine-tune the adaptive controller parameters. The basic SCS for induction motors (IM) and the HST-SCS were applied to an IM of 200 HP and tested using a real-time simulator controller OPAL-RT showing the achievement of the proposal goal.

Keywords: adaptive-passivity-based controller (APBC); scalar control scheme (SCS); induction motor (IM); proportional (P) controller; nonlinear dynamical systems

1. Introduction

Compared to direct current electric motors, induction motors (IMs) have a lower cost and higher efficiency, require lower maintenance, and have been replacing them in variable speed operations with increasing use in the past twenty years [1]. In variable speed applications, the IM is fed by different types of alternating current (AC) drives [2], which differ in their performance with respect to the starting torque, transient speed behavior, and steady-state speed-accuracy of the desired speed [1]. For low, medium, and high-performance applications, three main control schemes are used: scalar control scheme (SCS) [3], direct torque control (DTC) [4], and field-oriented control (FOC) [5,6] respectively. There is also a simpler AC/AC soft starter based on thyristors [3], but it does not allow variable speed operation. It only reduces the starting stator current while moving low starting torque loads. This reduction is made by reducing the starting voltage applied to the motor.

The AC drive with a rotor speed closed loop (CL), based on FOC or DTC, is used for high-performance applications, such as winding and takeoffs. Its capabilities consist of starting with torque around 150% of the nominal torque, having a rapid and no oscillatory transient speed

behavior, and exhibiting 0.01% of steady-state speed accuracy. It needs parameter estimators to compute its characteristic variable slip frequency of operation. The AC drive based on sensorless DTC or sensorless FOC, is used for medium-performance applications. These consist of cranes, positive displacement pumps, and compressors. Its capabilities consist of starting with torque around 120% of the nominal torque, having a rapid and no oscillatory transient speed behavior, and 0.1% of steady-state speed accuracy. It needs parameter estimators and variable observers to compute its characteristic direct torque and flux control. In contrast, the cheapest AC-drive-based SCS is used for low-performance applications. Examples of these include blowers, fans, and centrifugal pumps. SCS only needs the rated voltage per phase and the frequency taken from the motor data plate. It moves loads needing a starting torque lower than 40% of the nominal torque [7] with 1% to 3% of steady-state speed accuracy and nonrapid and even oscillatory transient behavior [8–10]. These facts about SCS remain even if a CL speed control is considered as mainly improving steady-state accuracy [9]. This is the reason why FOC is finally proposed in [10] to reach a higher performance. Oscillatory transient behavior issues of the SCS are studied in detail in [11].

Several research works aim to improve the simplest SCS [12–17]. Compared to the DTC [4] and the FOC [5,6], the SCS needs neither parameter estimators nor estimator or sensor of the rotor speed. SCS schemes [3,12–17] assume that the electrical angular speed is equal to the reference rotor angular speed, neglecting the slip, or equals to the reference rotor angular speed plus an estimated slip. These are the simplest and most effective ways the estimated rotor angle is implemented. Improvements in works [12–15] consider estimating the slip to improve the rotor steady-state speed-accuracy. The electromagnetic torque is estimated in [12], and later the slip is based on this estimate. The gap power is estimated in [13] and then the slip is estimated, adjusting also the boost voltage. The slip is calculated based on a stator flux observer in [14], which depends on parameter estimators. A simpler slip calculation scheme is proposed in [15], where the computing depends on the rated stator current and the rated slip. The speed control of all these SCS schemes has an open-loop (OL) speed control.

In addition, to improve the steady-state rotor speed accuracy of the SCS, a CL speed controller is proposed in [16]. The required electrical frequency is set by a CL speed fuzzy controller in [16]. It depends on the measurement of a rotor angular speed sensor. A rotor angular speed observer based on a spectral search method is proposed in [17] to improve the SCS speed monitoring. It is suggested in [17] that this monitoring could be used in other works to develop a CL sensorless SCS, but this is not fully addressed by [17].

All these schemes [12–17] aim to improve the accuracy of the steady-state rotor speed. They all need parameter estimators, depending on the accuracy of the estimates. The low starting torque issue of the SCS is not addressed in these references from [12–17]. It is in this paper where a solution is suggested.

The mining and minerals industry, for instance, has machinery such as conveyor belts. These need high starting torque but no steady-state speed accuracy. One employed solution is to consider AC drives with a DTC or FOC scheme, paying an over cost. Another solution considers an AC drive with SCS to move the belt conveyors unloaded at the start. This last solution has an issue when unforeseen detentions occur. This paper aims to propose an alternative simple solution to move high starting-torque loads. It uses for current-control purposes the same current sensors used today by the basic SCS for motor protection. Compared to the DTC [4] and the FOC [5,6], the proposed high starting torque (HST)-SCS needs neither parameter estimators, variable observers, nor estimator or sensor of the rotor speed. As a result, it moves loads needing a starting torque around 100% of the nominal torque from 1% to 3% of steady-state speed accuracy and nonrapid and even oscillatory transient behavior [8–10]. It expands the applications of the SCS but is not capable of substituting the FOC nor DTC schemes.

The main contribution of this paper is the proposal of an HST-SCS. It adds a CL adaptive-passivity-based controller (APBC) for current to the basic SCS. This is based on the adaptive theory from [18,19] developed for linear dynamical systems but extended herein for a class of nonlinear

dynamical systems expressed in the normal form, which has a linear explicit parametric dependence with a linear internal dynamic and encompasses the IM model. The use of normalized FG is proposed to adjust the adaptive controller parameters.

The paper is organized as follows: Section 2 describes the IM model, the basic SCS method, and the APBC basis. The proposed APBC method for a class of nonlinear systems is proposed in Section 3. Experimental results comparing basic SCS and the proposed HST-SCS are described in Section 4. Finally, in Section 5, some conclusions are drawn.

2. Preliminaries

The design and performance of the proposed HST-SCS for IM will be compared to the basic SCS for the IM described in this section. Both schemes make use of several concepts and theories also described in what follows.

2.1. Basic SCS for IM

The steady-state IM-equivalent circuit per phase is described in detail in Appendix A.1 [20]. The basic SCS considers a P controller to keep constant magnetization at different electrical frequencies as shown in the following equation:

$$V_s^* = \begin{cases} P_1 \omega_e^* + \sqrt{2} V_{boost}, & \text{with } P_1 = \frac{\sqrt{2}p}{2\pi} \left(\frac{V_{s_rated}}{f_{rated}} - \frac{V_{boost}}{f_c} \right) \text{ for } f_{min} < f < f_c, \\ P_2 \omega_e^*, & \text{with } P_2 = \frac{\sqrt{2}p}{2\pi} \left(\frac{V_{s_rated}}{f_{rated}} \right) \text{ for } f_c < f < f_{rated}, \end{cases} \quad (1)$$

where V_s^* is the required amplitude of the phase stator voltage to be applied in order to achieve the required electrical angular frequency ω_e^* . In practice, ω_e^* is considered to be equal to the required rotor angular speed multiplied by the pair of poles $\omega_r^* p$, neglecting the rotor angular slip. V_{s_rated} is the rated phase voltage from the motor data plate, p is the pair of poles, f_{rated} is the motor rated frequency in Hz, and the V_{boost} has a value of up to 25% of V_{s_rated} in [21] and operates from the minimum frequency f_{min} (with a value up to 6% of f_{rated} in [21]) to the low-frequency f_c (with a value up to 40% of f_{rated} in [21]). The V_{boost} is a controller bias or offset needed to deliver a certain amount of starting torque according to Equation (A4):

$$T_{em} = 3 \left(\frac{p}{2} \right) \left(\frac{V_s}{\omega_e} \right)^2 \frac{R_r \omega_{slip}}{R_r^2 + (\omega_{slip} L'_r)^2} \quad (2)$$

The scalar control aims to keep a constant flux modulus ($|\varphi|$), neglecting the stator voltage drop in the stator impedance ($R_s i_s + j \omega_e L'_s i_s \approx 0$). After that, the Kirchhoff's voltage law equation for the stator (A1) was simplified and shows the dependence between the flux modulus ($|\varphi|$), the frequency ω_e , and the modulus of the voltage applied to the motor, according to

$$u_s = \overbrace{(R_s i_s + j \omega_e L'_s i_s)}^{\approx 0} + j \omega_e \overbrace{L_m i_m}^{\varphi} \Rightarrow u_s \approx j \omega_e \varphi \Rightarrow |\varphi| \sim \frac{\overbrace{|u_s|}^{V_s}}{\omega_e}. \quad (3)$$

Thus, the amplitude of the rated voltage per phase and the rated electrical angular frequency are related as $P_2 = \frac{\sqrt{2}p}{2\pi} \left(\frac{V_{s_rated}}{f_{rated}} \right) = |\varphi_{rated}|$, which is kept constant over f_c throughout Equation (1). From this result, it can also be shown that at low speed, the required voltage $V_s^* = P_2 \omega_e^*$ is low, and the stator impedance is no longer neglectable. This is the reason why a V_{boost} is applied under f_c through the Equation (1) to assure the existence of flux and torque in this case. Finally, when operating at speeds higher than the rated speed ω_{e_rated} , a saturator needs to be used after the P controller. It limits the stator voltage to the safe limit V_{s_rated} , thus protecting the IM.

After applying the Park transformation $e^{-j\rho}$ [22], the two-phase $\alpha\text{-}\beta$ instantaneous signals fixed at a stationary reference frame can be obtained from the d-q amplitude magnitudes rotating at the synchronous reference frame; thus, $u_{s\alpha\beta}^* = e^{-j\rho}V_{sdq}^*$. Similarly, from the $\alpha\text{-}\beta$ instantaneous signals, the d-q amplitude magnitudes can be obtained through $I_{sdq} = e^{-j\rho}i_{s\alpha\beta}$.

In addition, using the Clarke transformation $T_{2\rightarrow3}$ [23] from the two-phase $\alpha\text{-}\beta$ instantaneous signals fixed at the stationary reference frame, the three-phasic instantaneous signals can be obtained through $u_s = [u_a \ u_b \ u_c]^T = T_{2\rightarrow3}u_{s\alpha\beta}^*$ and vice versa $i_{s\alpha\beta} = [i_{s\alpha} \ i_{s\beta}] = T_{3\rightarrow2}i_s$.

The general diagram of the basic SCS for IM that will be used in this paper for comparison purposes is shown in Figure 1, taken from [21]. It does not make use of parameter estimators when compared to DTC [4] or FOC [5,6], using only the rated voltage per phase from the motor data plate and sensors of the stator current consumption to check the proper IM functioning for its protection. The setpoint of the required rotor angular speed ω_r^* is established by the operator, and the SCS automatically defines the required stator voltage V_{sd}^* and electrical frequency ω_e .

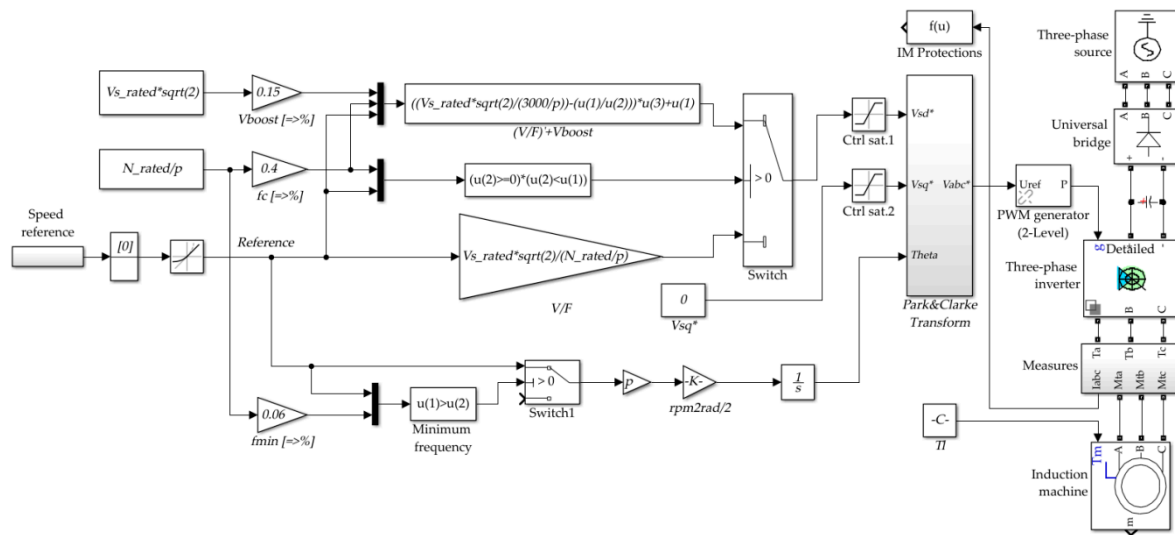


Figure 1. Simulink block diagram of basic SCS for the induction motor (IM).

The SCS scheme described in Figure 1 is simple and effective. It is used for applications needing low starting torque and a steady-state speed accuracy up to 3%. To operate motor loads needing HST, some issues are faced which are described in the next section.

2.2. Problem Statement

After applying the basic SCS for IM, the following issues are faced:

- HST: To keep the constant flux given in (3), basic SCS uses the controller (1), which has a low starting torque issue. This is due to the low applied starting voltage, even after applying the V_{boost} , because the torque (2) is proportional to the square of the quotient between the phase rated stator voltage and rated electrical frequency. Thus, an alternative method controlling the required stator current i_s^* to have HST is proposed next.
- Nonlinear IM dynamical model with unknown parameters: To control the stator current i_s^* , the IM $d\text{-}q$ dynamical model will be used (A5), which is a nonlinear dynamical system with linear explicit parametric dependence and linear stable internal dynamics (z) of the form

$$\begin{aligned} \dot{y} &= A_1 f_1(y) + A_2 f_2(z) + Bu \\ \dot{z} &= Cz + Dy \end{aligned} \quad (4)$$

where the flux, which is the internal dynamics variable $z = [\Psi_{rd} \ \Psi_{rq}]^T \in \mathfrak{R}^2$, is not accessible, the current output variable $y = [I_{sd} \ I_{sq}]^T \in \mathfrak{R}^2$ and the voltage input (control) variable $u = [V_{sd} \ V_{sq}]^T \in \mathfrak{R}^2$ are both accessible. The system function $f_1(y) = [y^T \ \omega_e y^T]^T \in \mathfrak{R}^4$ is known, but the function $f_2(z) = [z^T \ \frac{p}{2}\omega_r z^T]^T \in \mathfrak{R}^4$ is unknown. All system parameters are considered constant but unknown, where $A_1 = \begin{bmatrix} -\frac{R'_s}{\sigma L_s} I_2 & \begin{bmatrix} 0 & 1 \\ -1 & 0 \end{bmatrix} \end{bmatrix} \in \mathfrak{R}^{4 \times 2}$, I_2 is the identity matrix of order 2, and $A_2 = \begin{bmatrix} \frac{R_r L_m}{\sigma L_s L_r} I_2 & \frac{L_m}{\sigma L_s L_r} \begin{bmatrix} 0 & 1 \\ -1 & 0 \end{bmatrix} \end{bmatrix} \in \mathfrak{R}^{4 \times 2}$, $B = \frac{1}{\sigma L_s} I_2 \in \mathfrak{R}^{2 \times 2}$, $C = \begin{bmatrix} -\frac{R_r}{L_r} & \omega_{slip} \\ -\omega_{slip} & -\frac{R_r}{L_r} \end{bmatrix} \in \mathfrak{R}^{2 \times 2}$ and $D = \frac{R_r L_m}{L_r} I_2 \in \mathfrak{R}^{2 \times 2}$. B and C are invertible matrices. The $sign(B)$ matrix contains the sign of each element of B and is assumed to be known. Therefore, an adaptive controller designed for nonlinear systems of the form (4) is proposed herein.

- (c) Parameters adjustment of APBC: How to adjust the controller parameters K and the fixed-gain Γ [19] remains an open question today. We will try to answer it herein by considering a known system time constant and by including a normalized FG for the APBC.

3. HST-SCS Proposal

As previously described, it can be seen from (3) that the flux modulus $|\varphi|$ is proportional to the quotient of the phase rated stator voltage and the rated frequency (after neglecting the stator voltage drop in the stator impedance). However, from (3), it can also be seen that the flux modulus $|\varphi|$ is proportional to the modulus of the magnetizing current $i_m = i_s - i_r$. Replacing i_r from (A2), we get

$$i_m = i_s - \frac{jL_m}{\omega_{slip} + jL_r} i_s = i_s \left(\frac{\frac{R_r}{\omega_{slip}} + jL'_r}{\frac{R_r}{\omega_{slip}} + jL_r} \right) \quad (5)$$

Considering Equation (5), we explore how to keep a constant i_m by keeping a constant stator phase current i_s to guarantee an HST. This is obtained from (A3) and results as $T_{em} = 3\frac{p}{2} \left| \frac{jL_m}{\omega_{slip} + jL_r} \right|^2 \frac{R_r}{\omega_{slip}} |i_s|^2$.

3.1. HST-SCS for IM

A general diagram of the proposed HST-SCS is shown in Figure 2. Here, a new HST control loop (marked in yellow) operating from the minimum frequency f_{min} to the lower frequency f_{c1} was added to the basic SCS. It moves the V_{boost} operation from f_{c1} to f_c , keeping the $P_2\omega_c^*$ operating from f_c to f_{rated} . The new transition frequency f_{c1} from HST control to V_{boost} control is lower than f_c .

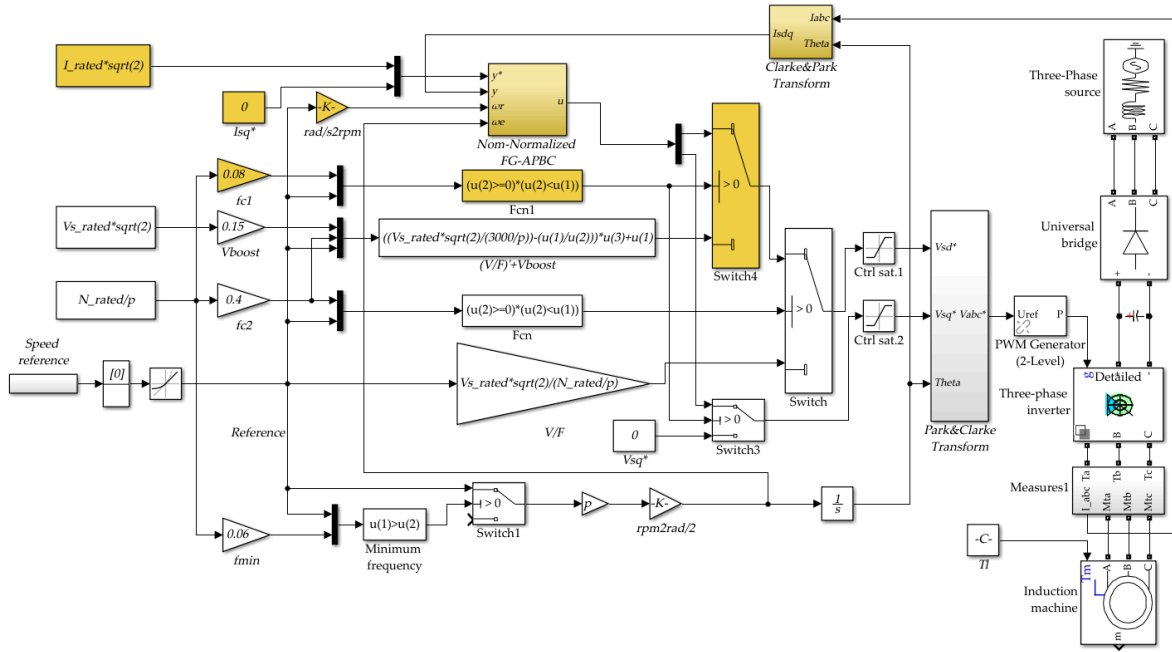


Figure 2. Simulink block diagram of the proposed HST-SCS for the IM.

In the proposed HST-SCS, Equation (1) takes the form

$$V_s^* = \begin{cases} \theta^T \omega, & \text{with } \dot{\theta} = e(\Gamma \omega)^T & \text{for } f_{min} < f < f_{c1}, \\ P_1 \omega_e^* + \sqrt{2} V_{boost}, & \text{with } P_1 = \frac{\sqrt{2} p}{2\pi} \left(\frac{V_{s_rated}}{f_{rated}} - \frac{V_{boost}}{f_c} \right) & \text{for } f_{c1} < f < f_c, \\ P_2 \omega_e^*, & \text{with } P_2 = \frac{\sqrt{2} p}{2\pi} \left(\frac{V_{s_rated}}{f_{rated}} \right) & \text{for } f_c < f < f_{rated}, \end{cases} \quad (6)$$

where the added HST control loop θ is the adaptive HST controller parameter, depending on the fixed-gains Γ and the information vector ω . θ , Γ , and ω are all defined in Section 3.2.

3.2. Normalized FG-APBC

The APBC basis for tracking and regulation purposes is thoroughly described in [19] for nonlinear dynamical systems with unknown parameters. It will be extended in this paper for the class of nonlinear dynamical systems (4) and using a normalized FG.

Due to the characteristics of the internal dynamics z of Equation (4), Laplace transform [24] can be applied. Considering constant D and C , and assuming initial condition $z(0)$, $z(s) = (sI - C)^{-1} D s^{-1} Y(s) + (s - C)^{-1} z(0)$ is obtained. Applying the final value theorem [24], i.e., $\lim_{t \rightarrow \infty} z(t) = \lim_{s \rightarrow 0} s z(s)$, we have $\lim_{t \rightarrow \infty} z = C^{-1} D Y(s)$. Thus, after replacing $z = C^{-1} D Y(s)$ in the terms $f_2(z)$ of Equation (4), we get that $A_1 f_1(y) + A_2 f_2(z) = A f(y)$, and the dynamical system (4) takes the form

$$\begin{aligned} \dot{y} &= A f(y) + B u \\ \dot{z} &= C z + D y \end{aligned} \quad (7)$$

where the output variable $y \in \mathcal{R}^n$ and the input (control) variable $u \in \mathcal{R}^m$ are accessible. All system parameters $A \in \mathcal{R}^n \times \mathcal{R}^m$ and $B \in \mathcal{R}^n \times \mathcal{R}^m$ are unknown with B invertible, and τ is the known time constant of the system (7). It is assumed that $sign(B)$ is known. The system function $f(y) \in \mathcal{R}^m$ is known.

For the IM case, in Equation (7), the system function $f(y) = \left[y^T \quad \omega_e y^T \quad \frac{p}{2} \omega_r y^T \right]^T \in \mathcal{R}^6$, the system parameters are $A = \begin{bmatrix} -\frac{R_r'}{\sigma L_s'} I_2 + \frac{R_r^2 L_m^2}{\sigma L_s L_r^3} \begin{bmatrix} -\frac{R_r}{L_r} & \omega_{slip} \\ -\omega_{slip} & -\frac{R_r}{L_r} \end{bmatrix}^{-1} & \begin{bmatrix} 0 & 1 \\ -1 & 0 \end{bmatrix} & \frac{R_r L_m^2}{\sigma L_s L_r^2} \begin{bmatrix} 0 & 1 \\ -1 & 0 \end{bmatrix} \begin{bmatrix} -\frac{R_r}{L_r} & \omega_{slip} \\ -\omega_{slip} & -\frac{R_r}{L_r} \end{bmatrix}^{-1} \end{bmatrix}$, $B = \frac{1}{\sigma L_s} I_2$ and $sign(B) = I_2$.

In what follows, the adaptive controller is proposed.

Theorem 1. *Let us consider the nonlinear system (7) with unknown parameters. The following adaptive controller is*

$$u = \theta(\Gamma)^T \omega(K) \in \mathfrak{R}^n, \tag{8}$$

guarantees that $\lim_{t \rightarrow \infty} (y^* - y) = 0$. Here, $y^* \in \mathfrak{R}^n$ is the known required output, fixed by the operator, $u \in \mathfrak{R}^n$ is the controller (8) output, applied to the system (7) input, and the controller parameters $K \in \mathfrak{R}^{+(n \times n)}$ and $\Gamma \in \mathfrak{R}^{(n+m) \times (n+m)}$ are adjusted by the designer.

Here, $\omega \in \mathfrak{R}^{(n+m)}$ is the accessible information vector given by

$$\omega = \left[f(y)^T \quad (Ke + \dot{y}^*)^T \right]^T, \tag{9}$$

where $K \in \mathfrak{R}^{n \times n}$ is a Hurwitz matrix chosen by the designer as $K = \frac{1}{n\tau}$ with τ the known time constant of system (7), and $\theta^T \in \mathfrak{R}^{n \times (n+m)}$ are the adaptive controller parameters adjusted through the adaptive laws

$$\dot{\theta} = \text{sign}(B)^T e(\Gamma\omega)^T, \tag{10}$$

Here, the fixed-gains $\Gamma \in \mathfrak{R}^{(n+m) \times (n+m)}$ is a diagonal matrix computed according to the following normalized FG equation

$$\Gamma = \frac{\alpha I_{(n+m)}}{(1 + \omega_{rated}^T \omega_{rated})}, \tag{11}$$

with $\omega_{rated} \in \mathfrak{R}^{(n+m)}$ is the rated information vector defining the operational range of ω , α is a positive adjustable parameter chosen by the designer, and $I_{(n+m)}$ is the identity matrix of order $(n + m)$.

Proof: Let us define the control error as $e = y^* - y$. Subtracting \dot{y}^* to both sides of (7), adding and subtracting the term Ke in the right-hand side, and making some algebraic arrangements, it is obtained that

$$\dot{e} = -Ke + B(\theta^{*T}\omega - u) \tag{12}$$

where $\theta^{*T} = \left[B^{-1}A \quad B^{-1} \right] \in \mathfrak{R}^{n \times (n+m)}$ is the controller ideal fixed parameters of the controller, which are unknown. Substituting (8) in (12), defining the controller parameters error as $e_\theta = \theta^* - \theta$ (which implies $\dot{e}_\theta = -\dot{\theta}$ as θ^* is constant), and considering (9), the equations describing the evolution of the errors are

$$\dot{e} = -Ke_i + Be_\theta^T \omega \dot{e}_\theta = -\text{sign}(B)^T e(\Gamma\omega)^T \tag{13}$$

Let us propose the following Lyapunov candidate function, which is positive definite

$$V(e, e_\theta) = \frac{1}{2}e^T e + \text{Trace}\left(\frac{1}{2}e_\theta^T |B|^T e_\theta \Gamma^{-1}\right) \tag{14}$$

Taking the time derivative of (14), it is obtained that $\dot{V}(e, e_\theta) = e^T \dot{e} + \text{Trace}(e_\theta^T |B|^T \dot{e}_\theta \Gamma^{-1})$. Substituting into this last expression the derivatives of the controlled variable error \dot{e} from (13) and the controller parameters error \dot{e}_θ (13), considering that $(\Gamma\omega)^T = \omega^T \Gamma^T$, $\Gamma^T \Gamma^{-1} = 1$ due to Γ is a diagonal matrix, that B equals the $\text{sign}(B)$ multiplied by $|B|$, and grouping terms, we obtain $\dot{V}(e, e_\theta) = -e^T Ke + e^T Be_\theta^T \omega + \text{Trace}(-e_\theta^T B^T e \omega^T)$. Now, considering the two vectors property where $a^T b = \text{Trace}(ba^T)$ to write into the trace the second term $e^T Be_\theta^T \omega = \text{Trace}(e_\theta^T \omega e^T B)$ and rearranging, we have $\dot{V}(e, e_\theta) = -e^T Ke + \text{Trace}(-e_\theta^T B^T e \omega^T + e_\theta^T B^T e \omega^T)$. Canceling terms allows obtaining

$$\dot{V}(e, e_\theta) = -e^T Ke \leq 0 \tag{15}$$

As can be seen in (15), the first-time derivative of the Lyapunov function (14) is negative semidefinite; thus, using Lapunov Theorem, it can be concluded that system (13) is stable.

(a) Let us now prove that control error e converges to zero.

Integrating Equation (15) in the interval $(0, \infty)$ it is obtained that

$$V(\infty) - V(0) = - \int_0^{\infty} (e^T K e) d\lambda \quad (16)$$

Since the system is stable, e, e_θ are all bounded ($e, e_\theta \in \mathcal{L}^\infty$), and from (14) it can be concluded that V is always bounded. Thus, the left-hand side of (16) is always bounded, which implies from the right-hand side of (16) that $e \in \mathcal{L}^2$.

Since $e \in \mathcal{L}^\infty$ and the reference output y^* is assumed to be bounded, it can be concluded from the errors expressions that $y \in \mathcal{L}^\infty$. Thus, since $f(y)$ is assumed a bounded function for a bounded y , from (9) $\omega \in \mathcal{L}^\infty$, and consequently, from (13), it can be concluded that $\dot{e}, \dot{e}_\theta \in \mathcal{L}^\infty$.

Thus, since $e, \dot{e} \in \mathcal{L}^\infty$ and $e \in \mathcal{L}^2$, using Barbalat's Lemma [18] it can be concluded that

$$\lim_{t \rightarrow \infty} e = 0$$

and this concludes the proof. The controller parameters error e_θ is stable, and the adaptive controller parameters θ not necessarily tend to the controller ideal parameters θ^* . \square

The normalized FG-APBC for the IM is described in Figure 3, where summarizing, $u = \theta^T \omega$, $\omega = \begin{bmatrix} y^T & \omega_e y^T & \frac{p}{2} \omega_r y^T & (Ke + \dot{y}^*)^T \end{bmatrix}^T \in \mathfrak{R}^8$, with $y = \begin{bmatrix} I_{rd} & I_{rq} \end{bmatrix}^T \in \mathfrak{R}^2$, $e = (y^* - y) \in \mathfrak{R}^2$ with $y^* = \begin{bmatrix} I_{s_rated} & 0 \end{bmatrix}^T$, $\dot{\theta} = e(\Gamma\omega)^T$ due to $sign(B)^T = 1$, and $\Gamma = \frac{I_s}{(1 + \omega_{rated}^T \omega_{rated})}$ with $\alpha = 1$ and $\omega_{rated} = \begin{bmatrix} I_{s_rated} & 0 & 2\pi f_{rated} I_{s_rated} & 0 & \frac{p}{2} \omega_{r_rated} I_{s_rated} & 0 & 0 & 0 \end{bmatrix}^T$. The value $K = 50/J_m$ is chosen, with J_m the motor inertia taken from the IM datasheet. The value $K = \frac{50}{J_m} = \frac{1}{(J_m/(10 \times 5))}$ came from the widely used criterion considering the inner current loop 10 as times faster than the outer mechanical loop and our proposal for the normalized FG-APBC of considering a controller time as a constant of a fifth the inner time constant of the plant.

In order to verify the achievement of the proposal goal, comparative experimental results considering real-time simulations are described in the next section.

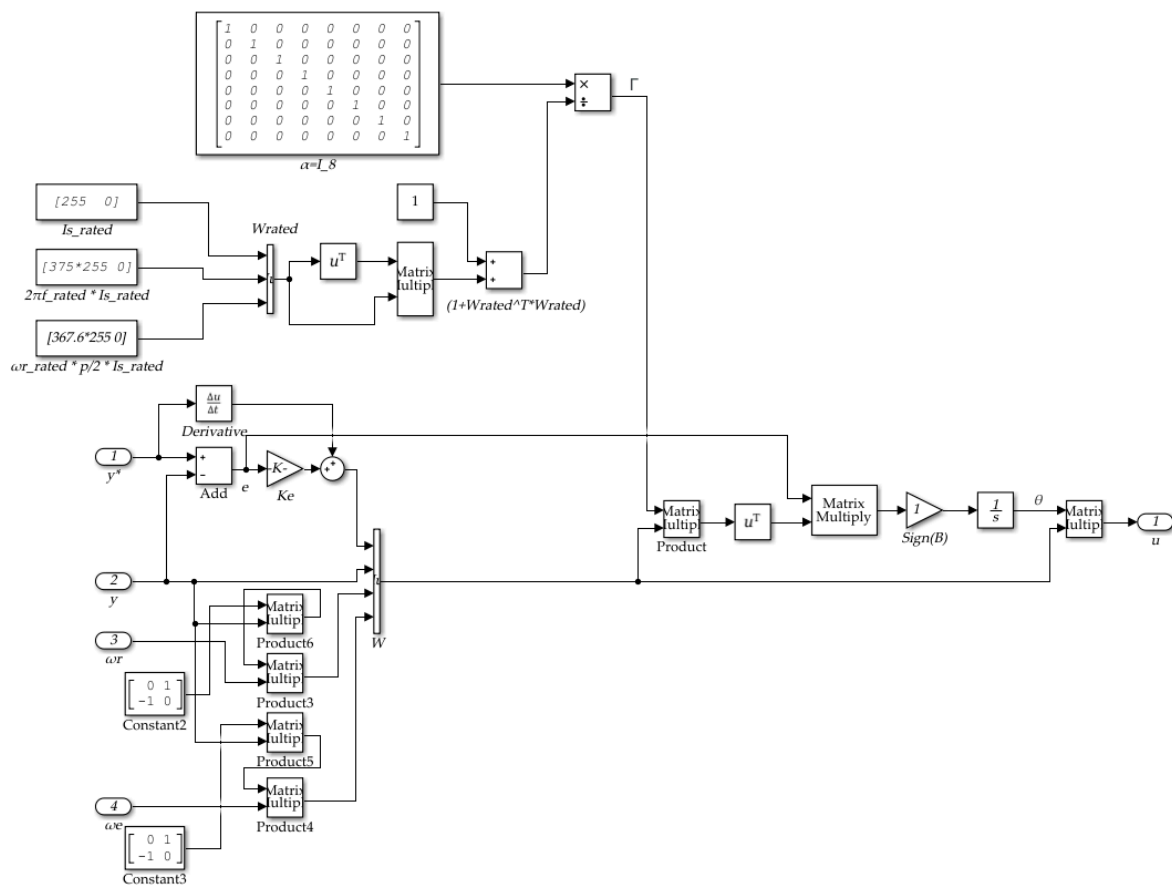


Figure 3. Simulink block diagram of the normalized FG-APBC for the IM.

4. Experimental Comparative Results and Discussion

The schemes from Figure 1 (basic SCS) and Figure 2 (proposed HST-SCS) were applied to an IM of 200 HP. These were programmed in Simulink version 8.9 of Matlab R2017a (9.2.0.538062) for Win64. Later, they were downloaded into a real-time simulator controller 4510 v2 from OPAL-RT and run. The field-programmable gate array (FPGA) of the OPAL was used to create a hardware implementation of portions of the software application.

The real-time simulations started at 0 s and stopped at 35 s using a sampling time of 10 μ s. In both cases, a constant speed setpoint was applied equal to the nominal speed value and a ramp of 50 rpm/s.

The inverter trip unit was running at the FPGA of the controller and works at 2 kHz. The motor data plate is 149.2 kW, 460 V, 60 Hz, 1755 rpm (183.8 rad/s), $fp = 0.85$, $\eta = 86.6\%$, $T_{nom} = 812$ Nm, and the motor inertia taken from its datasheet is 3.1 Kg m^2 . The parameters of the motor-load set (considered unknown) are $p = 4$, $L_m = 10.46$ mH, $L_s = L_r = 10.7627$ mH, $R_s = 14.85$ m Ω , $R_r = 9.295$ m Ω , $J = 6.2$ Kg m^2 , and $B = 0.08$ Nms.

4.1. Basic SCS

In this case, the following SCS configuration parameters were used: $V_{s_rated} = 460 / \sqrt{3}$, $f_{rated} = 60$ Hz, $f_c = 40\% f_{rated}$, $V_{boost} = 15\% V_{s_rated}$, and $f_{min} = 6\% f_{rated}$. The experimental results for a starting torque $T_l = 30\% T_{nom}$, increasing to 110% T_{nom} at 5 s, are shown in Figure 4.

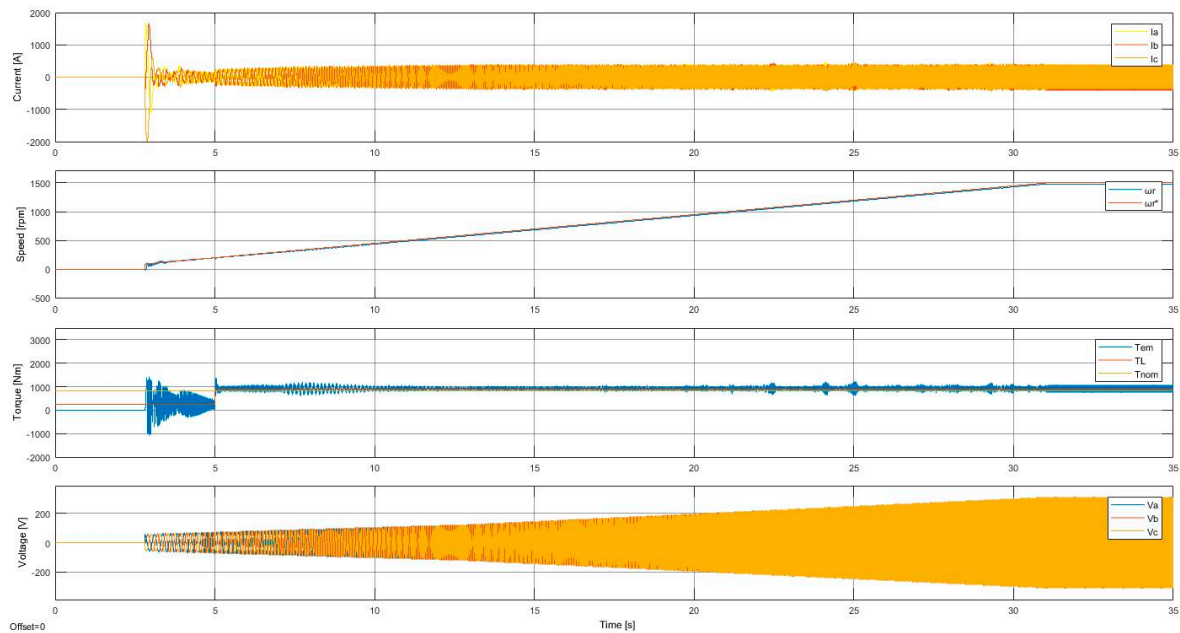


Figure 4. Real-time simulation results of the basic SCS for a 200 HP IM.

Figure 4 shows the results of the basic SCS, starting with 30% of the nominal torque. The slope of the voltage amplitude decreased at a time between 15 and 20 s at 40% of the required speed. A torque ripple is shown at low speeds. The real rotor speed followed the required rotor with an accuracy of 2.2%.

There is a smooth change when switching the voltage in Equation (1) at the frequency f_c . Neither the rotor speed, the stator current, nor the torque is affected by this change of the control method.

4.2. Proposed Adaptive HST-SCS

The SCS configuration parameters in this case were the same used by the basic SCS ($V_{s_rated} = 460/\sqrt{3}$, $f_{rated} = 60$ Hz, $f_c = 40\% f_{rated}$, $V_{boost} = 15\% V_{s_rated}$, and $f_{min} = 1\% f_{rated}$), and additionally, $f_{c1} = 8\% f_{rated}$, $I_{s_rated} = 255$ A, $\Gamma = \frac{I_v}{(1+\omega_{rated}^T \omega_{rated})}$, and $J_m = 3.1$ kgm². The experimental results are shown in Figure 5.

Results from Figure 5 show the achievement of the proposed goal after starting with 110% of the nominal torque. Conversely to the basic SCS results from Figure 4, the HST-SCS is characterized by having the motor magnetized from zero speed consuming the rated stator current. It has a higher voltage slope after starting. It also consumes a starting stator current smaller than the basic SCS loaded with 30% of the nominal torque (see Figure 4). After f_{c1} , the HST-SCS behaves like the basic SCS: the slope of the voltage amplitude decreased at a time between 15 to 20 s at 40% of the required speed; a torque ripple is also shown at low speeds, and the real rotor speed followed the required rotor with an accurate of 2.2%.

Distinctly from the basic SCS (Figure 4), the HST-SCS (Figure 5) shows an extra change in the slope of the voltage amplitude. It is higher at a time between 3 and 4 s at 8% of the required speed. At this point, the control strategy changes from the HST-SCS to the SCS, showing higher torque amplitude in correspondence to the higher torque load. The exact switching point fixed at 8% could change, looking for a smoother strategy change.

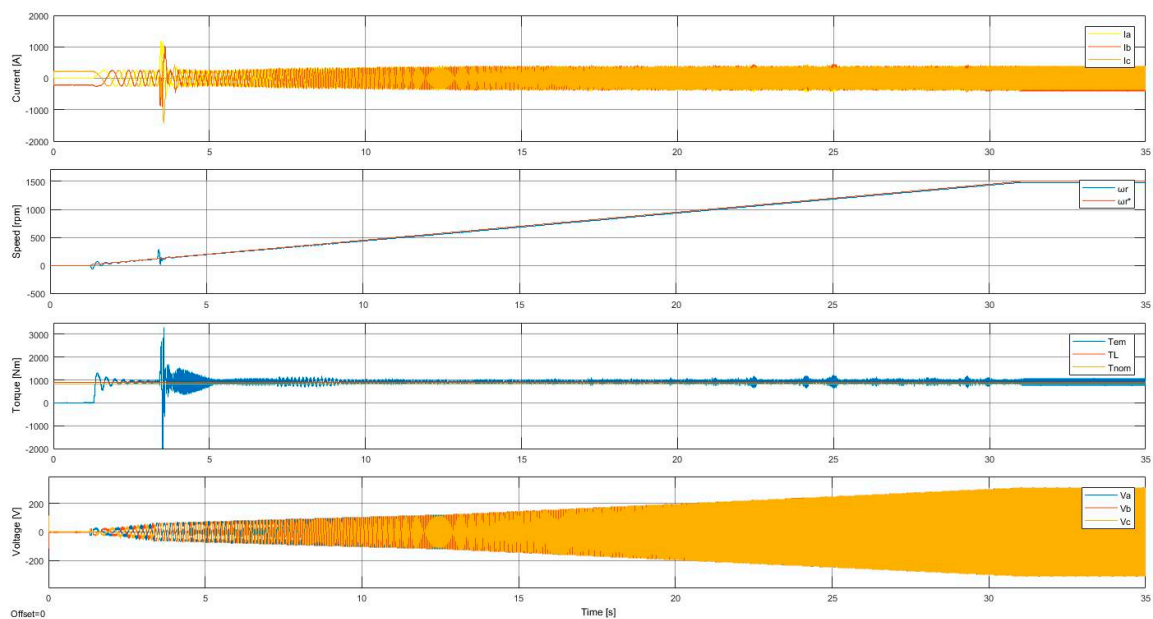


Figure 5. Real-time simulation results of the proposed adaptive HST-SCS for a 200 HP IM.

When switching between its control methods, the rotor speed, the stator current, and the torque shown in Figure 5 are affected in the HST-SCS. In particular, there is a torque ripple caused by the algorithm switching which is higher than for the basic SCS (Figure 4). This is a disadvantage of the HST-SCS over the basic SCS that should be improved in future work.

5. Conclusions

An HST-SCS for IM was proposed based on the basic SCS. The proposed SCS considers an adaptive current controller based on a direct APBC scheme using a normalized FG to fine-tune the adaptive controller parameter that works without the knowledge of the motor-load parameters. The main advantages of the HST-SCS include the capability to move higher starting-torque loads, together with a simple and cost-effective implementation without needing a rotor speed sensor or estimator, variable observers, or parameter estimators. The basic SCS for IM and the HST-SCS were applied to an IM of 200 HP and tested using the real-time simulator controller 4510 v2 from OPAL-RT. The HST-SCS started with 110% of the nominal torque, consuming less stator current than the basic SCS with a load torque of 30% of the nominal torque. Besides the rated voltage per phase needed by the basic SCS, the proposed HST-SCS needs the rated current per phase and motor inertia taken from the IM datasheet.

There is a torque ripple caused by the algorithm-switching of the HST-SCS, which is higher than for the basic SCS starting. This is a disadvantage of the HST-SCS over the basic SCS, which has a smooth change between its methods. Neither the rotor speed, the stator current, nor the torque is affected by this change of the control method in the basic SCS.

In future work, the proposed HST-SCS should be validated under a small scale test bench. In addition, using a motor of low rated power, the torque ripple magnitude, increased during the switching between methods, should be studied and decreased as much as possible.

Author Contributions: Conceptualization and methodology, J.C.T.-T.; validation and software, C.C.-J.; writing—original draft preparation and visualization, J.C.T.-T., N.A.-C. and A.Á.-G.; investigation, formal analysis, writing—review and editing, all authors; supervision, M.V.-L. and Á.C.-M.; project administration, data curation, resources and funding acquisition, J.C.T.-T. and M.A.D.-M. All authors have read and agreed to the published version of the manuscript.

Funding: This research was funded by FONDEF Chile, grant ID17I10338; FONDECYT Chile, grants 11170154 and 1190959; and CONICYT Chile Project AFB180004.

Conflicts of Interest: The authors declare no conflict of interest.

Appendix A

Appendix A.1 Steady-State IM Model per Phase

The steady-state IM model per phase of Figure A1 [3] allows modeling the steady-state behavior of the IM. The variables are as follows: the stator voltage per phase, v_s ; the stator current per phase, i_s ; the rotor current per phase, i_r (which is assumed to be a sinusoidal signal); the rotor angular speed at the shaft, ω_r ; the electrical angular frequency, ω_e ; the slip angular frequency of the rotor, $\omega_{slip} = (\omega_e - \frac{p}{2}\omega_r)$; the poles pair, p ; the electromagnetic motor output torque, T_{em} ; and the load torque, T_l . R_s , R_r are the stator and rotor resistances of a phase winding respectively; and L_s , L_r , and L_m are the stator, rotor, and magnetizing inductances, respectively.

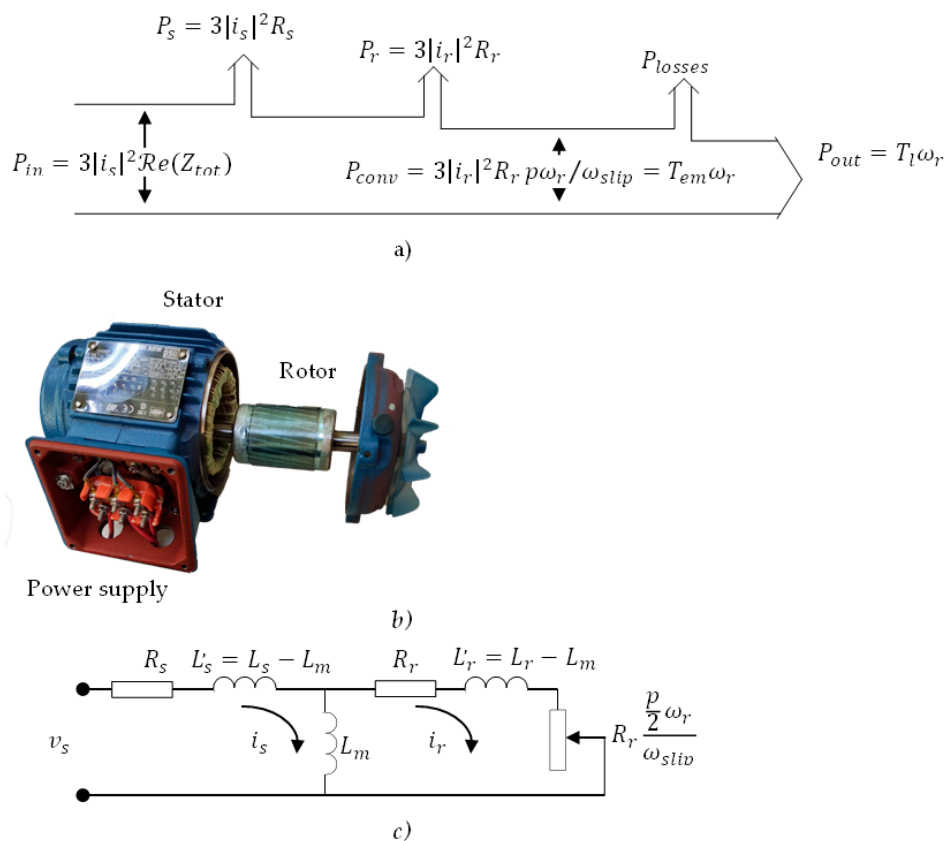


Figure A1. Steady-state IM model per phase. (a) Power flow diagram, (b) components and parts, (c) equivalent circuit.

The active power flow is shown in Figure A1a. The electrical input power ($P_{in} = 3\text{Re}(|v_s||i_s|)$) consumed by the motor is lost by the stator winding heating ($P_s = 3|i_s|^2 R_s$) by heating of the rotor cage ($P_r = 3|i_r|^2 R_r$), obtaining the converted power ($P_{conv} = T_{em} \omega_r$) that, after the power losses (P_{losses}), finally delivers the mechanical power at the shaft to move the load ($P_{out} = T_l \omega_r$) in correspondence with the IM parts of Figure A1b.

Kirchhoff's voltage law equation for the stator gives

$$v_s = (R_r + j\omega_e L_r') i_s + j\omega_e L_m (i_s - i_r) = (R_r + j\omega_e L_r') i_s + j\omega_e L_m i_m, \text{ with } i_m = (i_s - i_r) \quad (\text{A1})$$

Moreover, the electromechanical torque T_{em} is given by the ratio between the power converted P_{conv} and the angular speed of the rotor $\omega_r\left(\frac{p}{2}\right)$, i.e., $T_{em} = \frac{P_{conv}}{\frac{p}{2}\omega_r} = \frac{3|i_r|^2 R_r \frac{\omega_r}{\omega_{slip}}}{\frac{p}{2}\omega_r} = 3\frac{p}{2}|i_r|^2 \frac{R_r}{\omega_{slip}}$. Using the expression

$$i_r = \frac{jL_m}{\frac{R_r}{\omega_{slip}} + jL_r} i_s, \quad (A2)$$

obtained from the Kirchhoff's current law equation for the rotor $\left(-j\omega_e L_m i_s + j\omega_e(L'_r + L_m)i_r + R_r\left(1 + \frac{p\omega_r}{\omega_{slip}}\right)i_r = 0\right)$, we get

$$T_{em} = 3\frac{p}{2} \left| \frac{jL_m}{\frac{R_r}{\omega_{slip}} + jL_r} \right|^2 \frac{R_r}{\omega_{slip}} |i_s|^2. \quad (A3)$$

Substituting into (A3) the expression given by $i_s = Z_{eq}^{-1} u_s$, together with the IM equivalence impedance obtained as $Z_{eq} = (R_s + j\omega_{sync}L'_s) + (j\omega_{sync}L_m) \parallel \left(j\omega_{sync}L'_r + R_r \frac{\omega_{sync}}{\omega_{slip}}\right) = (R_s + j\omega_{sync}L'_s) + \frac{j\omega_{sync}L_m(j\omega_{sync}L'_r + R_r \frac{\omega_{sync}}{\omega_{slip}})}{j\omega_{sync}L_r + R_r \frac{\omega_{sync}}{\omega_{slip}}}$, which is equal to $Z_{eq} = \frac{(R_s R_r - \omega_e \omega_{slip} L_r L'_s - \omega_e \omega_{slip} L_m L'_r) + j(\omega_{slip} R_s L_r + \omega_e R_r L'_s + R_r L_m \omega_e)}{(R_r + j\omega_{slip} L_r)}$, and rearranging terms, we finally have

$$T_{em} = 3\left(\frac{p}{2}\right) R_r V_s^2 \frac{\omega_{slip} L_m^2}{(R_s R_r - \omega_{slip} \omega_e L_s L_r + \omega_{slip} \omega_e L_m^2)^2 + (\omega_{slip} R_s L_r + \omega_e R_r L_s)^2}. \quad (A4)$$

Appendix A.2 IM Dynamic Model

The IM dynamical model is obtained under the assumptions given in [20] (Section 2.1). These assumptions are as follows: the rotor and stator windings are distributed symmetrically; the signals are sinusoidal (neglecting the harmonic effects); hysteresis, iron losses, and saturation are negligible; the IM is working into the linear zone; all motor parameters are constant and referred to the stator; a two-pole machine is considered with results expandable to more poles; and a quadrature-phase machines smooth-air-gap is considered.

Applying Kirchhoff laws for the stator and rotor circuit [20], using the Park transformation [22] to express the electrical equations into a rotating synchronous reference frame, and splitting the vectors into real and imaginary parts, the IM d - q dynamical model used for the HST-SCS scheme is obtained.

$$\begin{aligned} \dot{I}_{sd} &= -\frac{R'_s}{\sigma L_s} I_{sd} + \omega_e I_{sq} + \frac{R_r L_m}{\sigma L_s L_r^2} \Psi_{rd} - \frac{L_m}{\sigma L_s L_r} \frac{p}{2} \omega_r \Psi_{rq} + \frac{1}{\sigma L_s} V_{sd} \\ \dot{I}_{sq} &= -\frac{R'_s}{\sigma L_s} I_{sq} - \omega_e I_{sd} + \frac{R_r L_m}{\sigma L_s L_r^2} \Psi_{rq} + \frac{L_m}{\sigma L_s L_r} \frac{p}{2} \omega_r \Psi_{rd} + \frac{1}{\sigma L_s} V_{sq} \\ \dot{\Psi}_{rd} &= -\frac{R_r}{L_r} \Psi_{rd} + \left(\omega_e - \frac{p}{2} \omega_r\right) \Psi_{rq} + \frac{R_r L_m}{L_r} I_{sd} \\ \dot{\Psi}_{rq} &= -\frac{R_r}{L_r} \Psi_{rq} - \left(\omega_e - \frac{p}{2} \omega_r\right) \Psi_{rd} + \frac{R_r L_m}{L_r} I_{sq} \end{aligned} \quad (A5)$$

where the variables are the amplitude of the sinusoidal signals at the motor terminals expressed as the direct and quadrature stator current amplitudes I_{sd} and I_{sq} , respectively; the direct and quadrature stator voltage amplitudes are V_{sd} and V_{sq} , respectively, and the direct and quadrature rotor flux amplitudes are Ψ_{rd} and Ψ_{rq} , respectively. ω_r is the rotor angular speed at the shaft, and ω_e is the angular electrical frequency or speed of the synchronous reference frame. The parameters R_s , R_r are the stator and rotor resistances, respectively, of a phase winding; p is the poles number, L_s , L_r , and L_m are the stator, rotor, and magnetizing inductances, respectively, $\sigma = 1 - \frac{L_m^2}{L_r L_s}$ is the dispersion coefficient, and $R'_s = R_s + \frac{L_m^2 R_r}{L_r^2}$ is the stator transient resistance and the slip angular frequency of the rotor $\omega_{slip} = \left(\omega_e - \frac{p}{2} \omega_r\right)$.

The coupling between electromagnetic torque, stator current, and rotor flux can be observed in Equation (A5) including the nonlinear terms, such as $\omega_g I_{sd}$, $\omega_g I_{sq}$, $\omega_r \Psi_{rq}$, $\omega_r \Psi_{rd}$, $(\omega_g - \frac{p}{2}\omega_r)\Psi_{rq}$, $(\omega_g - \frac{p}{2}\omega_r)\Psi_{rd}$, $\Psi_{rd} I_{sq}$, and $\Psi_{rq} I_{sd}$.

References

- Hannan, M.A.; Jamal, A.A.; Mohamed, A.; Hussain, A. Optimization techniques to enhance the performance of induction motor drives: A review. *Renew. Sustain. Energy Rev.* **2017**, *81*, 1611–1626. [[CrossRef](#)]
- Peter, V. *Sensorless Vector and Direct Torque Control*; Oxford University Press: Oxford, UK, 1998.
- Bose, B.K. *Modern Power Electronics and AC Drives*; Prentice Hall PTR: Upper Saddle River, NJ, USA, 2002.
- Depenbrock, M. Direkte Selbstregelung (DSR) für hochdynamische Drehfeld-antriebe mit Stromrichterschaltung. *Etz Arch.* **1985**, *7*, 211–218.
- Hasse, K. Zur Dynamik Drehzahl geregelter Antriebe Mit Stromrichtergespeisten Asynchron-Kurzschlussläufer Maschinen. Ph.D. Thesis, Technical University of Darmstadt, Darmstadt, Germany, 1969.
- Blaschke, F. The principle of field orientation as Applied to the New “transvektor” Close-loop Control system for Rotating-Field machines. *Siemens Rev.* **1972**, *39*, 517–525.
- Karbakhsh, F.; Amiri, M.; Zarchi, H.A. Two-switch flyback inverter employing a current sensorless MPPT and scalar control for low cost solar powered pumps. *IET Renew. Power Gener.* **2017**, *11*, 669–677.
- Krein, P.T.; Disilvestro, F.; Kanellakopoulos, I.; Locker, J. Comparative analysis of scalar and vector control methods for induction motors. In Proceedings of the IEEE Power Electronics Specialist Conference-PESC '93, Seattle, WA, USA, 20–24 June 1993; pp. 1139–1145. [[CrossRef](#)]
- García, G.O.; Stephan, R.M.; Watanabe, E.H. Comparing the Indirect Field-Oriented Control with a Scalar Method. *IEEE Trans. Ind. Electron.* **1994**, *41*, 201–207.
- Papazian, J.C.; Rognon, J.P.; Roye, D.; Delbosc, P. From scalar control to space vector control: Functions and limitations of the different elements. In Proceedings of the IAS '95. Conference Record of the 1995 IEEE Industry Applications Conference Thirtieth IAS Annual Meeting, Orlando, FL, USA, 8–12 October 1995; Volume 3, pp. 1944–1950. [[CrossRef](#)]
- Ueda, R.; Sonoda, T.; Koga, K.; Ichikawa, M. Stability Analysis in Induction-Motor Driven by V/F Controlled General-Purpose Inverter. *IEEE Trans. Ind. Appl.* **1992**, *28*, 472–481.
- Koga, K.; Ueda, R.; Sonoda, T. Constitution of V/F Control for Reducing the Steady-State Speed Error to Zero in Induction-Motor Drive System. *IEEE Trans. Ind. Appl.* **1992**, *28*, 463–471.
- Munoz-García, A.; Lipo, T.A.; Novotny, D.W. A new induction motor V/f control method capable of high-performance regulation at low speeds. *IEEE Trans. Ind. Appl.* **1998**, *34*, 813–821.
- Wang, C.C.; Fang, C.H. Sensorless scalar-controlled induction motor drives with modified flux observer. *IEEE Trans. Energy Convers.* **2003**, *18*, 181–186.
- Smith, A.; Gadoue, S.; Armstrong, M.; Finch, J. Improved method for the scalar control of induction motor drives. *IET Electr. Power Appl.* **2013**, *7*, 487–498.
- Suetake, M.; da Silva, I.N.; Goedel, A. Embedded DSP-Based Compact Fuzzy System and Its Application for Induction-Motor V/f Speed Control. *IEEE Trans. Ind. Electron.* **2011**, *58*, 750–760.
- Tshiloz, K.; Djurović, S. Scalar controlled induction motor drive speed estimation by adaptive sliding window search of the power signal. *Int. J. Electr. Power Energy Syst.* **2017**, *91*, 80–91.
- Narendra, K.S.; Annaswamy, A.M. *Stable Adaptive Systems*; Dover publications: Mineola, NY, USA, 2005.
- Travieso-Torres, J.C.; Duarte-Mermoud, M.A.; Sepuleveda, D.I. Passivity-based control for stabilization, regulation and tracking purposes of a class of nonlinear systems. *Int. J. Adapt. Control Signal Process.* **2017**, *21*, 582–602. [[CrossRef](#)]
- Vas, P. *Electrical Machines and Drives: Space Vector Theory Approach*; Editorial Oxford Clarendon Press: Oxford, UK, 1992.
- Control Techniques Drives Limited. *Commander SE Advanced User Guide*; Control Techniques Drives Limited: Hong Kong, China, 2002.
- Park, R.H. Two-Reaction Theory of Synchronous Machines, Generalized Method of Analysis-Part I. *Trans. Am. Inst. Electr. Eng.* **1929**, *48*, 716–730. [[CrossRef](#)]

23. Mandic, D.P.; Kanna, S.; Xia, Y.L.; Moniri, A.; Junyent-Ferre, A.; Constantinides, A.G. A Data Analytics Perspective of Power Grid Analysis-Part 1: The Clarke and Related Transforms. *IEEE Signal Process. Mag.* **2019**, *36*, 110–116. [[CrossRef](#)]
24. Schiff, J.L. *The Laplace Transform: Theory and Applications*; Springer: Berlin/Heidelberg, Germany, 1999; ISBN 0387986987.



© 2020 by the authors. Licensee MDPI, Basel, Switzerland. This article is an open access article distributed under the terms and conditions of the Creative Commons Attribution (CC BY) license (<http://creativecommons.org/licenses/by/4.0/>).